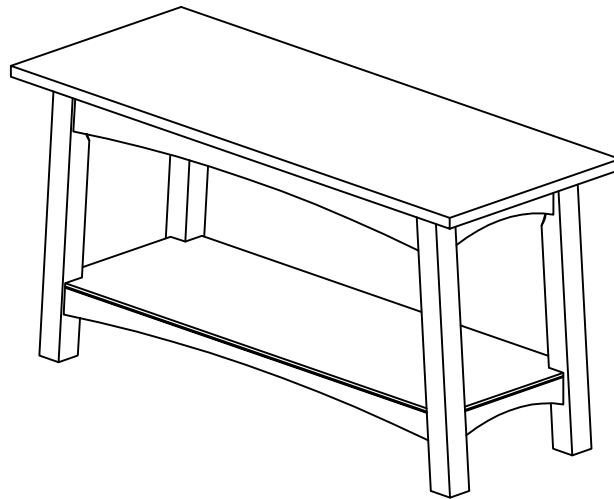


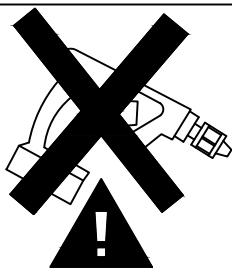
ASSEMBLY INSTRUCTION

BENCH

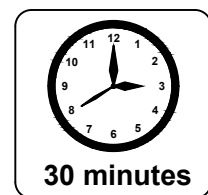
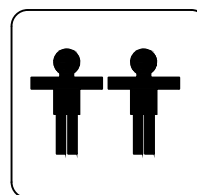


REPLACEMENT PARTS

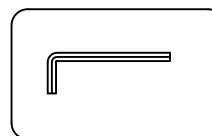
Please do not contact the company purchased from as we can help you faster.
Order replacement parts and hardware at " www.boltonfurniture.com "



- . Use of power tool to assemble this product will invalidate any claim and damage this product making it unsafe !!!
- . Please assemble on a clean soft surface to avoid damage.

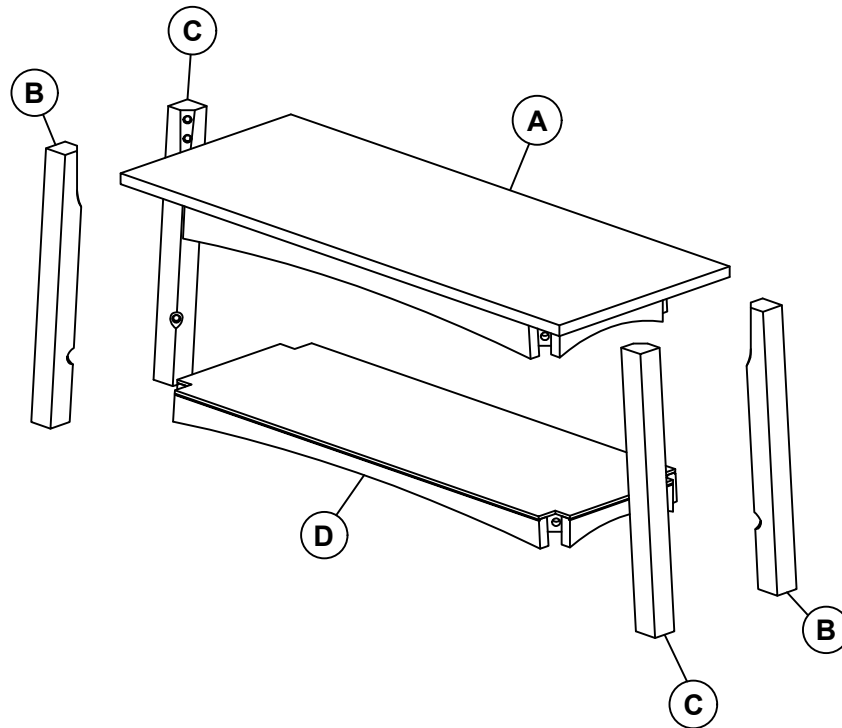


Tools Required

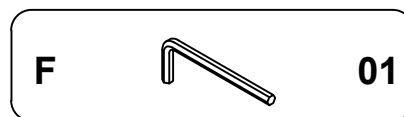
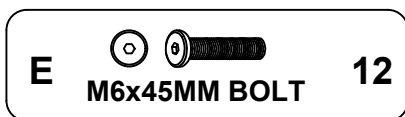


www.boltonfurniture.com

Part list - Bench



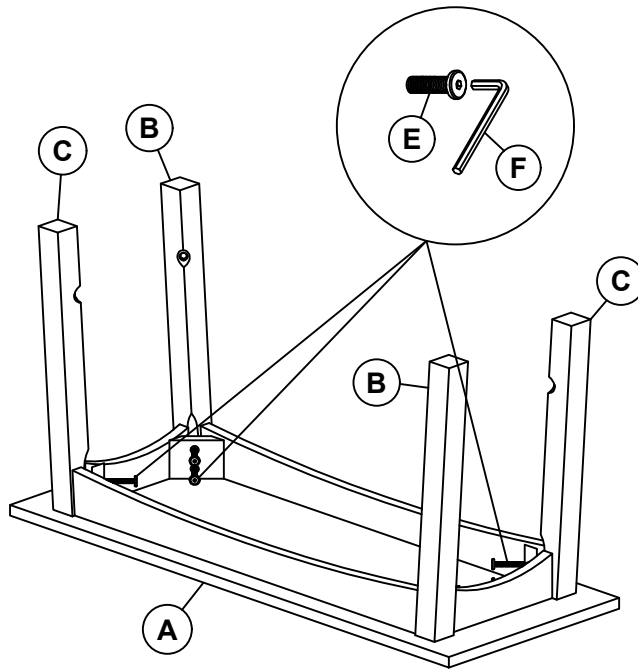
Identifying the hardware-Identify the hardware using the illustrations below



Step 01

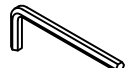
E  **08**
M6x45MM BOLT

F  **01**



Step 02

E  **04**
M6x45MM BOLT

F  **01**

